

**WORLD
BENCHREST SHOOTING
FEDERATION**

OFFICIAL RULE BOOK

Version 3 up dated 1.11.2011

WORLD BENCHREST SHOOTING FEDERATION

CONTENTS

SECTION A	ADMINISTRATION
SECTION B	RULES OF COMPETITION
SECTION C	CONDUCT OF CHAMPIONSHIP
SECTION D	APPROVED EVENTS
SECTION E	TECHNICAL PROVISIONS
SECTION F	RANGES AND FACILITIES
SECTION G	MEDALS AND AWARDS
SECTION H	ENTRY FEES
SECTION I	RANGE SAFETY AND PROCEDURES
SECTION J	COMPETITOR REQUIREMENTS
APPENDIX A	RIFLE DIAGRAM AND SPECIFICATIONS
APPENDIX B	TARGET
APPENDIX C	PROTEST FORM
APPENDIX D	APPLICATION TO HOST CHAMPIONSHIP
APPENDIX E	APPLICATION FOR WORLD RECORD
INDEX	

SECTION A Administration

A.1 Authority:

The World Benchrest Shooting Championships are conducted on the authority of the World Benchrest Shooting Federation and approved by the Delegates Committee.

A.2 Recognition of Member Countries:

There is no restriction on the number of countries that may join the World Benchrest Shooting Federation, subject to them meeting the admission criteria established within these rules, fulfilling financial obligations and meeting the appropriate standards of behaviour and sportsmanship.

A country may be expelled and membership cancelled by the delegates attending a meeting duly called and constituted by these rules. Such expulsion will be by a 2/3rd majority ballot of those country delegates present.

A.3 Recognised Body:

It is for each member country, to establish the body within its jurisdiction that will be recognised for participation at any championship conducted under the auspices of the World Benchrest Shooting Federation.

A.4 Types of Membership

A4.1 Full Membership

Each country accepted for membership is entitled to appoint a representative to care for their interests and attend any meetings of the WBSF Delegates Committee.

A4.2 Affiliate Membership

Membership is available per *A13 Territory or Protectorate* and subject to all other Rules and requirements of these rules.

A4.3 Interim Membership

On the authority of the President of the Federation, Interim Membership may be granted to a new country seeking membership, subject to such action being placed before the next Delegates Meeting for ratification of Full (or Associate) Membership or declinature in accordance with these rules.

A.5 Multiple Representation:

Where more than one organisation pursues the interests of Benchrest Shooting within a particular country, it is for that country to determine representation. However the Delegates Committee will only recognise one such body in any one country. Where an Association / Federation accepts such responsibility, it is required to ensure all competitors from that country who wish to represent their country, are provided with the opportunity to qualify for such teams.

A.6 International Affiliation:

It is expected that any country / association recognition, should be capable of/ or recognised by the controlling body of sports shooting in that country, to ensure full international status can be conveyed on the countries representatives.

A.7 Delegates Committee Meetings:

As a minimum, there will be a Delegates Committee Meeting held at each World Championship. The Delegates Committee will be conducted by an elected President or appointee. Representation will be by a delegate from each approved country who may be accompanied by an official observer. Each delegate present at the meeting will hold one vote. The President may hold his countries vote or a casting vote, but not both. The committee has authority to appoint a Vice-President from amongst the delegates.

A.8 Membership Fees:

Member countries will be responsible for the payment of any membership fees or levies determined from time to time by the Delegates Meeting. Failure to meet deadlines set for the payment of such fees will result in the non-acceptance of shooters from that country in any events conducted by the World Benchrest Shooting Federation.

A.9 Conduct of Events:

A World Championship shall be conducted every two years. All events at such Championships will be conducted in accordance with these Rules.

Where the HV300yd/m event cannot be conducted due to range or other limitations, the host country can offer an alternative event. (see A.11)

Should the host country traditionally conduct events in metric distances, same will be allowed, however all events for that Championship will be conducted in the metric distances.

A.10 Changes to Rules to be used at World Championship:

Should changes be required to these rules, these should be advised to the Delegates Committee at least one year prior to competition, and confirmation of such changes approved by the next Delegates meeting. Should no such changes be advised, then the competition will proceed on the basis of the published information. A temporary change for a specific Championship can be approved by the President and/or Secretary in consultation with the Organising Committee, subject to all competing countries approving in writing that such change has their agreement.

A.11 New Competition Events:

These Rules contain all events that are currently approved by the Delegates Committee for competition. Should a member wish to provide an alternative competition or include an additional event on the programme, such detail must be submitted to the Delegates Committee meeting two years prior to competition. Such application must be accompanied by the Rules of Competition under which the event will be conducted and confirmation that all administrative matters (medals, teams etc) as provided in these Rules will prevail.

A.12 Competitor Accreditation:

Only competitors nominated by their affiliated country/association who have met their financial obligations and who hold that country's citizenship or residency qualification will be accepted. In case of doubt, the competitor's primary place of residence will determine country affiliation. Should a competitor have competed for one country, they are unable to compete for another with a formal clearance in writing and a stand down period of 2 years since last competing for the original country.

A.13 Territory or Protectorate:

The recognised National Shooting Association of such territories or protectorates may seek Affiliate membership of WBSF. For entry to be accepted into a championship, all competitors must have been resident in that territory or protectorate for a minimum of two years.

A.14 Minimum Number of Individual Competitors:

For a World Championship to be conducted there must be thirty competitors representing a minimum of five countries.

The minimum number of competitors from each country shall be one competitor.

A.15 Maximum Number of Individual Competitors:

WORLD BENCHREST SHOOTING FEDERATION

Each participating country may enter a maximum number of eight competitors in each event of the championship.

A.16 Extension of entry numbers:

The numbers of competitors from each country may be extended to twelve if sufficient range space is available. In determining which countries are granted such extension, the Team Grand Aggregate from the immediate past World Championship will determine the order of acceptance.

(For clarity, the winning country would be offered the first opportunity. Offers will first be made to countries that are able to enter a full team.)

A.17 Team Competition - Minimum Number of Teams:

One team from each of four participating countries.

A.18 Size of Teams:

Each country is entitled to enter two teams of four shooters in each event which may be extended per A.16.

A.19 Reserves:

It is recognised that countries may wish to have reserves available in the event of difficulties within a group. Reserves will be able to shoot during official and unofficial practise days only, and as reserves, will not be permitted to participate in shooting once the championship commences. Entry fees will not be charged, however the Organising Committee has the right to charge a reserve fee commensurate with costs of involvement including functions etc.

A.20 Use of Reserves:

Up until such time as a competitor fires the first shot in an event, they may be replaced by a reserve. Following such first shot in a warm-up match or competition, replacement is not permitted.

A.21 Teams Competition participants:

For a Team score to be recorded, all team members must complete both the Light Class and Heavy Class competition (i.e. 2 Gun)

A.22 Priority of entry- all events:

In the event that participation numbers need to be restricted due to range capacity, priority entry will be offered to countries that enter competitors in all matches.

A.23 All members – right of entry:

All member countries have the right to enter one (1) competitor in each championship regardless of the provisions of Rule 22.

A.24 World Championship Records:

World Championship records can be established and are recorded in the WBSF Championship Manual. Small group records can be established in warm-up matches.

A.24.a Un-confirmed Records:

The results as published at each championship can be used to indicate that an unconfirmed new World Championship Record has been established.

A.24.b Confirmed Record:

The Delegates Committee shall appoint a Technical Group for the final measuring of proposed new records. Such group are able to meet in person or by correspondence.

All targets that constitute the record shall be made available to the Technical Group by the Team Leader via the Championship Director, accompanied by appropriate application form.

The Group shall personally inspect and independently re-measure each target, providing to the Secretary the results of their efforts.

WORLD BENCHREST SHOOTING FEDERATION

The Secretary shall co-ordinate all results, and determines the averages of each individual's re-measure. It will be for the Secretary to announce any new records so obtained. There shall be no appeal rights available to the results of Technical Group or the Secretary in this matter.

SECTION B Rules of Competition

B.1 DEFINITIONS

B.2 Championship:

The *Championship* shall be defined as the conduct of the total tournament.

B.3 Event:

The *Event* will be those events separately listed in Section D.

B.4 Aggregate:

An *Aggregate* will be the averaged score of a distance or combined distances.

B.5 Match:

A *Match* will be single event (one target) in a Championship.

B.6 Rifle Specifications

B.6.1 Light Varmint:

Any centre fire rifle with a safe manually and mechanically operated firing mechanism, weighing not more than 10.5 lbs / 4.7638 kg's inclusive of sights with a stock having a flat or convex forearm, with a total stock width of not more than three (3) inches / 76.2mm and a barrel not less than eighteen (18) inches / 457mm long. All other specifications are to be in accordance with Class Rifle Diagram; see Appendix A.

B.6.2 Heavy Varmint:

Any Centrefire rifle not more than thirteen and half (13.5) pounds / 6.1236kg's in weight inclusive of sights and otherwise meeting the requirements of the Light Class rifle.

B.7 Rests:

A front rest shall only support the front portion of the rifle. The rear rest shall only support the rear portion of the rifle. Neither rest may be attached to the bench, the rifle or each other ie: Both parts shall be moveable independently of each other.

B. 7.1 Front Rest:

The front rest must incorporate a pliable bag containing sand. The front portion of the rifle shall contact no portion of the rest (other than a stop at the front of the rest that can be used to locate the distance that the rifle is moved towards the target) other than the bag containing the sand. The bottom of the fore end of the stock must form a 100% contact with the top of the sand bag. The rest can incorporate vertical and horizontal adjustments.

B.7.2 Rear Rest:

To be a bag or series of bags containing sand. The rear bag can incorporate a vertical spacer as long as it does not contain horizontal or vertical adjustments. The vertical spacer shall not contain any protrusions which can be inserted into the bench top or the sand bag. The rear bag/s shall not be contained in any way.

B.8 Sand Bag:

The front and rear sand bag will be a bag without additions, containing sand only and at least ½ inch / 12.7mm thick over its entire surface. A bag must be able to be indented at least ¼ inch / 6.4mm with finger pressure at any point other than the base.

B.9 Restraint of Rifles:

Rifles shall be fired from rests which may be supported on a pedestal, which shall not co-act with the sandbag to restrain recoil or form a guiding means; and a rear rest, comprising a sandbag supporting the rifle between the rear of the pistol grip and the toe of the butt stock. The rifle must be able to be lifted freely from the sandbag in a vertical direction with all attachments in place. Tape on the sandbag is legal.

B.10 Guiding means:

Any device, addition, contour or dimension on a rifle, designed to co-act with any equipment to guide its return to the firing position, without the necessity to re-aim the rifle optically for each shot shall be deemed illegal.

B.11 Firing Line:

The firing line shall preferably be coincident with the forward edge of the bench. If not, the line must be clearly marked on the bench.

B.12 Bench:

A bench shall be a rigidly constructed table approximately 32 inches / 812mm in height at which a shooter may sit. The shooter should be able to adjust personal height by the provision of a seat or stool which is adjustable. Benches should be constructed to allow firing by either right or left handed competitors.

B.13 Position on the bench:

The rifle shall be so placed that the muzzle extends forward of the bench and the entire receiver of the rifle is behind the firing line.

B.14 Unused Benches:

No competitor or Team Official shall occupy any bench in any match in which they personally are not competing.

SECTION C Conduct of Championships

C.1 Targets:

Targets to be used in the Championship, shall be the Official WBSF targets as defined in these rules (WBSF 100, WBSF 200 WBSF 300) see Appendix B, or other targets as approved by WBSF. Should a local print be used, this will require prior approval from the Officials of the Federation

C.2 Official Set of Targets:

One set of targets per match shall be provided per competitor, these to be clearly marked with a "Competitor Number" that is clearly visible at all ranges.

C.3 Target Dislodged:

Should a Target be dislodged during a match, the match will continue uninterrupted. At the completion of the match, the Range Officer will assess and award extra time to the competitor to enable the match to be completed prior to proceeding with further competition.

C.4 Lost Targets:

If a target is lost (the fault of the range or weather) and the shooter has four other completed targets at that distance, the score for the lost target will be the average of the best and worst of those remaining four targets. It is the responsibility of the Target Staff to ensure adequate protection of the targets against weather etc by stapling if necessary.

C.5 Everyman Targets:

It is required that “everyman” targets be established for all ranges. It is preferred these be attached above the target frames to avoid impinging on competitor wind flags. At least one target should be established for each five competition targets and evenly spread across the range.

C.6 Posting of Targets:

All completed targets are to be posted in a common area (Wailing Wall) and displayed for all competitors to view. No competitor shall remove from the display area, any targets until the aggregate for that distance has been completed, and the protest time for that aggregate has expired.(see C18)

Should a Team or individual wish to lodge a protest in regard to target marking etc, refer Section E.11 Re-measurement of group.

Should an issue arise in regard to Aggregates, the Protest Committee may require the targets to be produced. However it should be noted that re-marking of

targets cannot be undertaken after expiration of the protest time of the Two-gun aggregate.

C.7 Removal of Targets:

Early removal of targets by a competitor prior to the expiry of the notified protest time for each aggregate automatically negates all protest rights. The Organising Committee shall provide adequate storage for targets during a championship for those competitors who do not wish to remove their targets until completion of the Championship.

C.8 Target Marking facilities:

The availability of a separate target marking facility is necessary, with restricted access to competitors and the public. All target marking should be conducted by two delegated Technical Officials, one to undertake primary scoring using approved equipment, the other to act as check scorer and recorder. Target measurement to be displayed on the face of the target.

C.9 Measurement of groups:

C.9a Groups shot at imperial distances will be measured using the imperial system to the nearest 0.001 inch.

Groups shot at metric distances will be measured using the metric system to the nearest 0.01mm.

C.9b Posting of scores results (Group size)

Individual Groups scored using Imperial measurement will be displayed as Imperial measurement (to 0.001)

Individual Groups scored using Metric measurement will be displayed as Metric measurement (to 0.01).

C.9c Posting of score results (Aggregates).

Aggregates of scores measured in Imperial will be displayed in Imperial (to 0.0001)

Aggregates of scores measured in Metric will be displayed in Metric (to 0.001)

C9d Recording World Championship Scores/Aggregates

Results will be published in the scoring format (imperial or metric) in which the event was completed and expressed in Minute of angle. (metric distance to Imperial distance conversion factor will be 27.77)

C9e Recording – World Championship Record scores / aggregates

WORLD BENCHREST SHOOTING FEDERATION

World Championship Records will be officially recorded in the Imperial system only *and expressed in MOA per conversion factor.*

C.10 Tie Breaking

A tie is considered to have occurred if two or more competitors have the same measurement for an Individual or Aggregate score.

Tie breaking procedures will only be applied to groups / aggregates for which Medal / awards presentations will be made.

C.10.a Individual Group Tie:

In the event of an individual small group tie, the competitor with the highest placed aggregate score for that yardage will prevail.

C.10.b Aggregate Score Tie.

In the event of an Aggregate tie, then the competitor with the smallest group for that distance will prevail.

C10c Grand Aggregate Score Tie:

In the event of a Grand Aggregate (event or 2-gun) tie, then the smallest group from each aggregate will be averaged and the smallest result will prevail.

C.11 Moving Backers:

C.11.a Backer Card: A moving backer strip or card is required for all matches conducted at the World Championships. Such Card or strip should be sufficient in size to ensure all shots fired on the target will be recorded.

C.11.b Card Identification: All Backer Cards shall carry a suitable identification such as Competitor Number, Relay and Match to ensure same can be related to the competitor's target.

C.11.c Backer Card Security: All backer cards will accompany the targets to the Scoring Office, and be retained for the length of the Championship for resolution of disputes or new records

C.11.d Backer Procedures: Such systems must be suitable for all weather conditions to ensure fair competition. Should the system fail, the following procedures are to be implemented:

- a) Targets and backer cards are not to be removed or disturbed.
- b) Targets (including moving and stationary backers) on which all required shots cannot be counted must be inspected by the Championship Director or appointed official prior to removal with each target individually marked as to the visual outcome.
- c) Targets and backer cards will then be delivered to Chief Scoring Officer for inspection under magnification. If correct number of shots can be identified, the matter proceeds as normal. If doubt still exists, the matter will be referred to the Protest Committee for a judgement to be made on acceptability of targets for the purposes of inclusion in the championship.
- d) Targets determined as indecisive but acceptable, will count for all matters related to the Championship, however will not be acceptable for inclusion in World Championship Records.

C.12 Stationary Backers:

Stationary Backer located behind the target frames, are required to be placed as follows;

100 yds/m	events	3 feet/1m	behind target frame
200 yds/m	events	6 feet/2m	behind target frame
300 yds /m	event	9 feet/3m	behind target frame

C.13 Standard Range commands – First Match General Instructions:

Prior to each relay of the first match of the day, general instructions shall be announced by the Range Officer. They should be the same or similar to the following, acknowledging local requirements:

“During the match, should an emergency arise which requires an immediate ceasefire, I shall command

“Emergency – cease fire – unlock your bolts”

This will permit all rifles to be in a safe condition without extracting the case from the chamber. This command will only be given in cases of such emergency that we cannot permit you to clear your rifle by firing.

If a condition should arise which requires temporary suspension of firing, I shall command

“Hold your fire – clear your rifle by firing or by removing your bolt”

Do not place any ammunition in the action until the command ‘Commence Firing’

C.14 Standard Range Commands – Each Match:

To ensure the championship is conducted without confusion, the following range commands are to be used.

- 1) This is Relay.....Match.....
- 2) Are all shooters ready
- 3) You haveminutes to complete this match.
- 4) Place bolts in your rifle
- 5) Commence Fire
- 6) Half Time
- 7) You have two minutes to complete your firing.
- 8) You have one minute to complete your firing
- 9) You have 30 seconds to complete your firing.
- 10) five seconds
- 11) “Sound of whistle” - Cease Fire
- 12) Remove bolts from rifles.

Interpretations

- a) No live ammunition may be placed in the rifle until the Commence Fire command is given.
- b) Timing commences at the beginning of the word “commence”.
- c) Timing ceases at the end of the blowing of the whistle.
- d) Any shots fired before the command “Commence Fire” or after the “Blowing of the whistle” for cease fire, will result in the shooter being disqualified from, and not taking part in the rest of the days shooting.

C.15 Emergency Commands:

In the event of an emergency, the Range Officer will issue a “cease fire” command per C.13. Such command must be obeyed immediately and no further shots fired. Prior to recommencement of firing, the Range Officer will allow 2

WORLD BENCHREST SHOOTING FEDERATION

minutes additional time and advise the shooters accordingly, however this allowance cannot exceed the original time for the match.

C.16 Protest Committee:

It is the responsibility of the Organising Committee to arrange a Protest Committee to hear any grievances raised by competitors in regard to any matters associated with the conduct of the championship.

C.17 Composition of Protest Committee:

The Protest Committee shall consist of the Championship Director, and two experienced Competitors (not from the host country) appointed from those entered. It is preferred that competitor appointees are changed daily for the period of the championship. Alternatively, the Organising Committee may appoint a Technical Committee of experienced individuals to act as the Protest Committee, who are not competitors and who have the ability to act independently of competing teams.

C.18 Lodging Protest:

All protests are to be lodged on the prescribed form (see Appendix Form C) together with a Protest Fee of USD25 or equivalent local currency. In the event of a successful protest, the fee will be refunded in full; otherwise all fees will be retained by the Organising Committee. All Protests must be submitted within 30 minutes of the alleged grievance, or posting of the result of the aggregate so disputed.

C.19 Decisions of Protest Committee:

The decisions of the Protest Committee are final and binding and there is no provision for appeal of such decisions.

SECTION D Approved Events and Time Limits

D.1 Approved Events:

The approved events for conduct at the World Benchrest Shooting Championship are as detailed:

D.2 Mandatory Events:

Light Varmint	100yards/m - 5 x 5 shot Groups.
	200yards/m - 5 x 5 shot Groups
Heavy Varmint	100yards/m – 5 x 5 shot Groups
	200yards/m – 5 x 5 shot Groups

D.3 Other Events:

All other events shown in this section are approved for competition and can be conducted subject to adequate facilities and operational personnel being available.

Heavy Varmint	300 yds/m	5 x 5 shot Groups.
LV or HV	200yds/m	5 x 10 shot Groups

D.4 Metric Alternative:

See Section A.9

D.5 Warm-up Match:

WORLD BENCHREST SHOOTING FEDERATION

A warm-up match will be conducted at each yardage for the Light Varmint and Heavy Varmint competition. For other events, a warm-up match is encouraged; however should there be time constraints the first relay can be extended three minutes as an alternative.

D.6 Time Limits:

For all matches, including warm-up matches, the time limit will be 7 minutes for a “5-shot” match and 12 minutes for a “10-shot” match. There shall be no exception to the requirement for all competitors to complete their string of fire within the time allowed.

D.7 Subsequent Relays:

Not less than 30 minutes shall be allowed between the end of one match of an event and the start of the same relay in the next match.

Section E Technical Provisions:

E.1 Range Officers:

In the selection of technical and volunteer staff, special consideration must be given to the competence of Range Officers. It is preferable to seek well experienced individuals who have a known ability to conduct the matches in a manner compatible with the event. Particular emphasis should be placed on the ability to administer issues such as crossfire’s, stuck rounds etc.

E.2 Squadding Procedures:

Allocation of positions on the firing line for the championship will be drawn by ballot, immediately following the Closing Date for final entries on the following basis:

Ballot will be for *Teams* spread evenly amongst available benches.

It will be for each Team Leader, at the time of final entry, to advise allocation of their team’s individual shooting order. If no such advice is forthcoming, the Organising Committee will undertake allocation at their discretion.

In the event of competitors being nominated without involvement in a Team, each will be allocated any available benches or positions at the discretion of the Organising Committee.

E.3 Bench Rotation:

Bench rotation shall be mandatory. The rotation system to be used is to be advised to all countries at the time of seeking entries. Should a country wish to adopt a system not previously used at the WBC, consultation with the WBSF President must be undertaken so a consensus view can be sought.

E.3.a Sample Bench Rotation information:

Example - 25 Bench Range

Two bench rotation:

		<i>Day One</i>	<i>Day Two</i>	<i>Day Three</i>	<i>Day Four</i>	<i>Day Five</i>
Relay	W/up	1	6	11	16	21
	One	13	18	23	3	8
	Two	1	6	11	16	21
	Three	13	18	23	3	8
	Four	1	6	11	16	21
	Five	13	18	23	3	8

WORLD BENCHREST SHOOTING FEDERATION

Five Bench Rotation

W/up	1	6	11	16	21
One	1	6	11	16	21
Two	6	11	16	21	1
Three	11	16	21	1	6
Four	16	21	1	6	11
Five	21	1	6	11	16

E.4 Order of Competition:

It is for the Organising Committee to determine the order of events.

Example:

Day 1	100yds LV	Day 1	100yds LV	Day 1	100yds LV
Day 2	100yds HV	Day 2	200yds LV	Day 2	200yds LV
Day 3	200yds LV	Day 3	100yds HV	Day 3	200yds HV
Day 4	200yds HV	Day 4	200yds HV	Day 4	100 yds HV
Day 5	300yds HV (or Alt)	Day 5	300yds (or Alt)	Day 5	300yds of Alt

The proposed method is to be advised to competing countries at the time of seeking entries.

E.5 Relay:

Six (6) Relays should be the maximum programmed to allow for orderly competition.

E.6 Unfinished Aggregates:

In the event that any aggregate is uncompleted on the scheduled day, the aggregate will continue the next morning where it was left off.

E.7 Results Service:

There is a need to provide a timely and accurate results service to the competitors. It is preferable that a computerised score programme be used to process the results to ensure an adequate style of presentation and accuracy. However a hard copy of all results is to be maintained in the event of computer failure.

E.8 Results Posting:

Adequate notice boards are required to post results progressively during the competition. Such should be easily accessible both to competitors and the public.

It should be clearly stated in the Championship instructions, where Official Results will be posted to ensure no confusion over protest requirements. Aggregate results so posted shall have included on the results the exact time of posting and the time of the expiry of protest rights (30 minutes).

E.9 Inspection Area:

It will be necessary to establish a facility for the implementation of inspection procedures to ensure firearms are in compliance with these rules.

The equipment to be used for inspection should be available at least two days prior to competition, to ensure individuals have an opportunity to test their equipment to ensure compliance with these rules.

E.9.1 Manpower Requirements:

Inspections should be carried out by staff that is fully familiar with the rules.

E.9.2 Documentation:

It is desirable that a standardised inspection form be used to provide consistency and be recognisable to range staff if further inquiry is required.

See Appendix D for suggested form.

E.9.3 Certification Sticker/s:

An Inspection / approved sticker, which are suitable for attachment to the rifle, are to be available.

WORLD BENCHREST SHOOTING FEDERATION

These should be unique to each championship and retained under security.

E.9.4 Certification Equipment:

The following list is recommended.

Template Board with all measurements for Rifle Standards per appendix A.

Certified Weighing Scales (preferably electronic) with a rated capacity of 10kgs.
Rule (Tape Measure.)

Gauge to measure stock width. The stock must not be more than 3 inches wide regardless of where measured.

E.9.5 Inspection Mandatory:

All competitors must present at the subscribed time, all rifles intended to be used in the event for inspection. Failure to do so will mean disqualification from that event.

E.9.6 Inspection Failure:

Rifles that fail inspection may be re-submitted for re-inspection following any adjustments, but prior to commencement of competition.

E.9.7 Weight Allowance:

At the time of weighing, an additional allowance of ½ ounce/15g will be granted.

E.9.8 Random Inspection:

At the discretion of the Championship Director, shooters may be required to resubmit their rifle/s for re-inspection at any time during the Championship. The Director is not required to give advance notice of such inspections.

E.10 Group Measurement:

Groups are to be measured by equipment capable of accuracy of .001in/.01mm approved by the Championship Director.

E.11 Re-measurement of Group:

Where a competitor considers an obvious error has been made, a request can be made of the Target Marking Officials to view the target and have the matter resolved. Where there is doubt, the competitor can submit a formal protest in accordance with the Protest Procedures. The measurement can be changed if there is a difference of .010inches/.25mm from the original measurement.

E.12 Target re-measurement Procedures:

The Official Scorer will re-measure the disputed target in the presence of the second Official and the Team Leader of the Competitor concerned using the same vernier as originally used. The vernier dial will be covered during the re-measurement.

E.13 Required number of shots:

Any Target having less than the required number of shots, or having any shot (other than the first sighting shot) outside of (and not touching) the border line on the record target, will be penalized one minute of Arc for each shot missing or outside the border line. Penalty provisions— see Target Drawing in Appendix B (statement below target)

E.14 Shot Placement:

WORLD BENCHREST SHOOTING FEDERATION

A shot above the top line of the sighter target (extended to the edges), will be a record shot unless this is the first sighting shot, and has been notified to the Range Officer.

E.15 *Removal of Bolts:*

All rifle bolts must be kept out of all rifles, except on the command of the Range Officer. This provision includes behind the firing line and in all other range areas including Loading Facilities, Parking areas etc. Breach of this rule could lead to disqualification from the championship at the discretion of the Championship Director.

E.16 *Cross fire procedures:*

It is the responsibility of the shooter who cross- fires to immediately advise the Range Officer of such event, and then fire the balance of their shots on their own target. A shooter who cross-fires and only the required number of shots are counted on their own record target plus the cross-fired shot/s, and does not notify the range officer, will have been deemed to have inadvertently cross-fired and shall not be disqualified, but shall be penalised as per E.16.2.

E.16.1 *Cross-fire transferred:*

The cross-firing shall be transferred to the shooters target and shall be measured as if fired in that position, on that target.

E.16.2 *Cross-fire Penalty:*

To the measurement shall be added a penalty of one minute of arc for each shot fired on the wrong target.

E.16.3 *Innocent Party:*

The competitor, on whose target a cross fire has been placed, is obliged to advise the Range Officer of such a happening.

E.16.4 *Failure to Notify:*

Any shooter found to have cross-fired, and not notified the Range Officer, and whose target show more than the required number of shots, including cross-fires, shall be deemed to have tried to conceal the fact and shall be disqualified from the event.

E.16.5 *No additional time:*

No additional time will be awarded to a shooter who cross-fires.

E.16.6 *Targets to remain in place:*

In the event of a cross fire being advised to the Range Officer, or located by the target crew, all targets, stationary and moving backers are to remain in place. It will be for the Protest Committee to resolve the matter before any further activity commences.

E.17 *Wind flags:*

Competitors may place wind flags on the range as desired, however all flags on the range must be no higher than level with the bench tops and the bottom of the target card, and retained within the competitors shooting lane. Once competition commences no wind flags can be shifted until the end of an aggregate. The Range Officer has the discretion to remove or drop any wind flag that is interfering with any shooter.

SECTION F Range and Facilities

F.1 *Minimum Range facilities for conducting a World Championship Tournament:*

WORLD BENCHREST SHOOTING FEDERATION

The firing line shall consist of not less than twenty five (25) benches/tables.
There shall be sturdy target frames at 100, 200 and 300 (if applicable) yds/m.
There shall be adequate covered loading area for all competitors.
There shall be enclosed facilities for statistical personnel.
There shall be adequate covered area for display of completed targets.
There shall be adequate sanitary facilities for competitors, technical staff and spectators.

F.2 Range Inspection and Certification:

It will be the responsibility of the host association to ensure that the range and facilities are of a standard suitable for the conduct of the Championship.
It will be for the host country's International Delegate to provide assurance to the Delegate Committees that these requirements have been met.
In the event of doubt or concern, it will be for the Delegates Committee to appoint a suitable person to undertake a pre-championship inspection to ensure all standards are being met.

F.3 Range – Benches:

The range must be equipped with adequate benches to cope with the numbers expected at the Championship. No international standards have been developed on size, spacing etc however the Delegates Committee needs to be satisfied fair and equal competition will be offered. Benches must be covered by roofing to protect the competitors from direct sun and rainfall.

F.4 Reloading Facilities:

Sufficient covered facilities must be provided to enable all competitors to undertake reloading activities, seated at tables. Large marquees are considered adequate.

F.5 Toilet Facilities:

The provision of both male and female toilets is required at all sites within reasonable walking distances of the range facilities.

SECTION G Medal Distribution

G.1 Medal Distribution:

The following list of medals/Awards is to be presented at each Championship

Team Championship	2 Gun Aggregate	(12 medals)
Teams Championship	LV Grand Aggregate	(12 medals)
Teams Championship	HV Grand Aggregate	(12 medals)
Individual Champion	2 Gun Aggregate	(3)
Individual Champion	LV Grand Aggregate	(3)
Individual Champion	HV Grand Aggregate	(3)
Individual Champion	300yds or alternative event.	(3)

G.2 Awards:

Small Group Award 100 and 200 yds	LV	(2)
Small Group Award 100 and 200 yds	HV	(2)

WORLD BENCHREST SHOOTING FEDERATION

Small Group Award 300 yds or alternative event. (1)

G.3 Presentations:

Additional presentations may be made at the discretion of the Organising Committee which could include Top 10 Patches for Individual Classes and Top 20 Patches for 2 Gun Grand Aggregate.

Section H Entry Fees

H.1 Entry Fees:

It is the responsibility of the Organising Committee to publish at least 12 months in advance the level of entry fees to be charged.

H.2 Responsibility for Payment of Entry Fees:

It is the responsibility of the recognised organisations to make entry fees payment in full before the due date on behalf of all shooters from that organisation. Payment will not be accepted from individuals.

H.2 Practice Fees:

Costs for Official Practice Days are to be included in the entry fees for each championship event. Unofficial practice costs can be charged separately at the discretion of the Organising Committee.

All practise fee arrangements are to be advised in the entry information.

H.4 Late Entries:

The acceptance of late entries is at the discretion of the Organising Committee. The acceptance of same must not disadvantage those countries that have met the entry deadlines.

The Organising Committee is authorised to charge a penalty rate for late entries.

H5 Entry Fees – Event:

A daily entry fee will not be accepted. Competitors are required to pay the full championship fee.

Section I Range Safety and Procedures

Safety of Competitors, Officials and Spectators is considered paramount. It is the responsibility of all participants to ensure that all safety standards are complied with, and breaches will not be tolerated.

I.1 Range Officer:

It is the responsibility of the Range Officer/s to supervise all matches and enforce all safety rules. Refusal to comply with an order of the Range Officer shall be grounds for barring a competitor from the range.

I.2 Standard set of commands:

Range Rules at each facility may vary from country to country. It is the responsibility of the Organising Committee of each Championship to ensure any individual requirements that may apply are advised to participants. However as a minimum, a standard set of commands are provided (see C12 and C13)

I.3 Public Areas:

WORLD BENCHREST SHOOTING FEDERATION

It is the responsibility of each individual shooter to ensure movement around public areas with firearms, is conducted in a safe and appropriate manner. Team Leaders have a responsibility to ensure all participants comply with this requirement.

1.4 Bolts in rifles:

Bolts may only be placed in rifles at the firing line and in accordance with range officer instructions. At all other times bolts may not be placed in a rifle unless they have been disassembled (firing pin removed) and a fellow competitor has witnessed this procedure. Failure to follow this procedure will result in disqualification of the competitor from that day's event.

1.5 Smoking

No smoking is permitted in the reloading facility. Further restrictions may be applied by the Organising Committee in accordance with local laws.

J Competitor Requirements:

J.1 Official Language:

The official language of the Championship shall be English, and all commands and instructions shall be provided in that language.

J.2 Competitor Number:

Each competitor shall be provided with an individual competitor number and country identification, suitable for attachment to competition clothing. Such Identification must be worn and visible at all times the competitor is at the firing line.

J.3 Name Tag:

Each competitor should be provided with a name tag including Name and Country and can be used for identification purpose on the range and at functions.

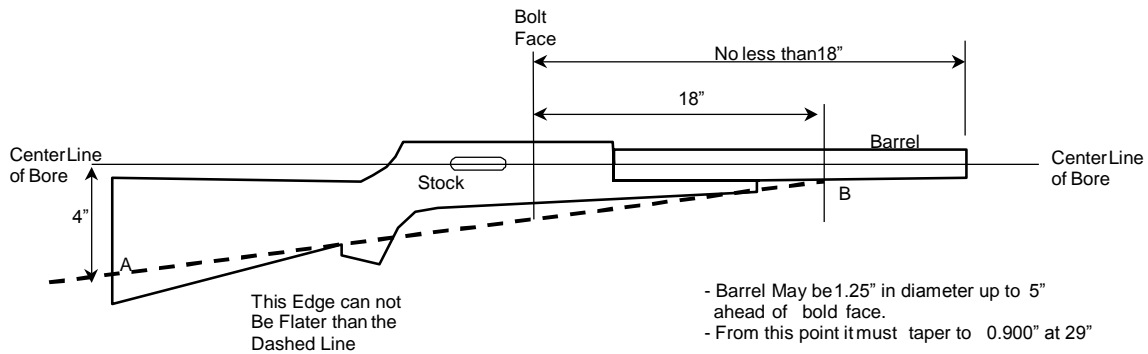
J.4 Official Notice Board:

The Organising Committee will establish an official notice Board and its location advised to competitors and officials. All official communications must be posted on this board to ensure all participants are equally informed.

J.5 Disabled Competitors:

The WBSF supports the participation of disabled shooters in this Championship. No specific limitations are mandated; however organising committees must be mindful of access and toilet requirements. Should a participant require special dispensations due to physical disabilities, application should be made in writing to the President or Secretary in sufficient time for a determination to be made.

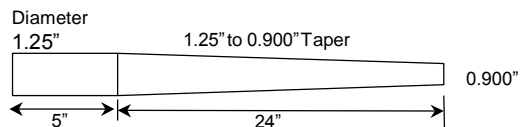
APPENDIX A Rifle Specifications



- Barrel May be 1.25" in diameter up to 5" ahead of bold face.
 - From this point it must taper to 0.900" at 29"

To measure

- (1) Insert cleaning rod guide
- (2) Insert cleaning rod
- (3) Drop 4" down butt plate and mark point A.
- (4) Mark 18" ahead of bold face, B.
- (5) Connect marks with yard stick or other straightedge
- (6) Bottom of butt stock may not be more parallel to bore than the straight line A to B, Thus must have same or sharper taper

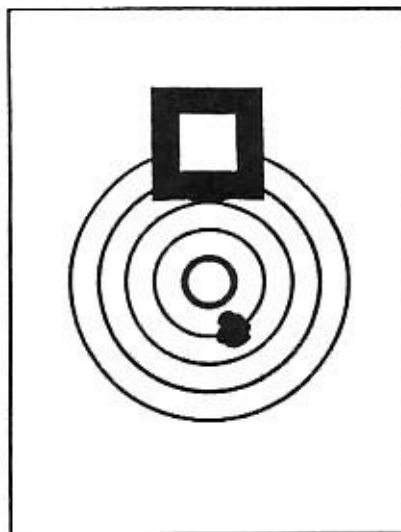


A shorter Barrel than 29" may have proportionally larger Muzzle Diameter

APPENDIX B TARGET

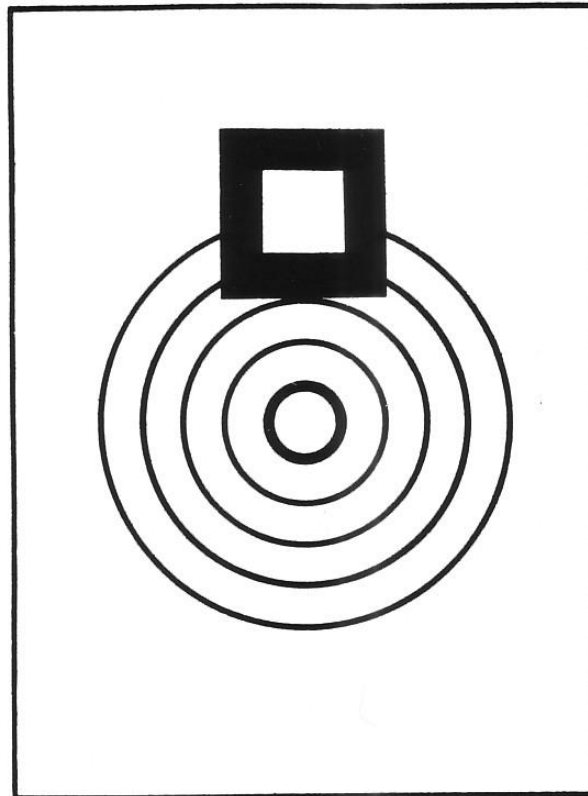
The official 100 yard/meter target (WBSF100) for all registered benchrest rifle competition shall have a ten ring of one half inch outside diameter. The nine ring shall be one-inch diameter. Succeeding rings shall increase one-half inch in outside diameter to and including the six ring. The aiming square shall be one inch square and placed tangent the eight ring at the twelve o'clock position. Thickness of the sides of the aiming square will be one quarter inch. The target shall have a black border line forming a rectangle 3.5 x 4.75 inches in size, which will be centred on a target card approximately 8x8 inches with no printing except the target inside the border line. A sighter target of the same basic design shall be on the same target card directly below the record target. The entire target card will measure approximately 8x16 inches. The sighter target is to have an S appear in both of the upper corners of the box. The target is to also have an additional 10 and 9 ring placed in the third and fourth quadrants of the target. The additional 9 ring is to be tangent with the 8 ring. The distance between the record target bottom border and the top border of the sighter target should be approximately 3 1/2 inches. All of the printing of the target shall be done in black.

Targets for the longer ranges shall be increased in direct proportion to the range in all ring and, aiming square dimensions, except in ring thickness and distance between sighter and record targets. Overall yard/meter target approximately 8x8 borderline one-half The printing of the (WBSF300) shall be the border one-half The printing on the shall be red.



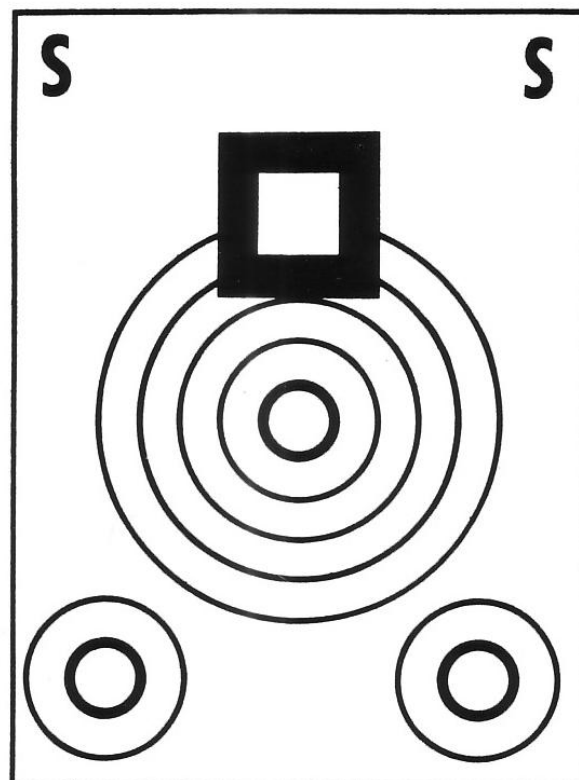
size of the 200- (WBSF200) will be inches with a black inch from the edge. 300-yard target 18x18 inches with inch from the edge. 300-yard targets

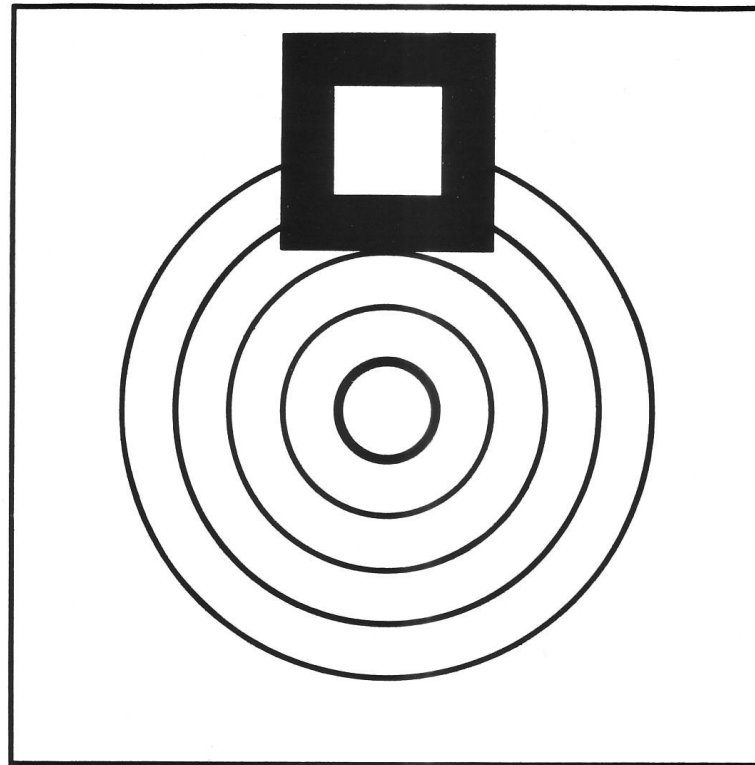
The shot outside of the rectangular border of the target is a Penalty Shot (1 inch at 100 yards, 2 inches at 200 yds, 3 inches at 300 yds) and is not to be measured with the group. The group is first measured and then the Penalty is added to it. Example: Group of .250 + Penalty of 1.000 = 1.250



100 Yard

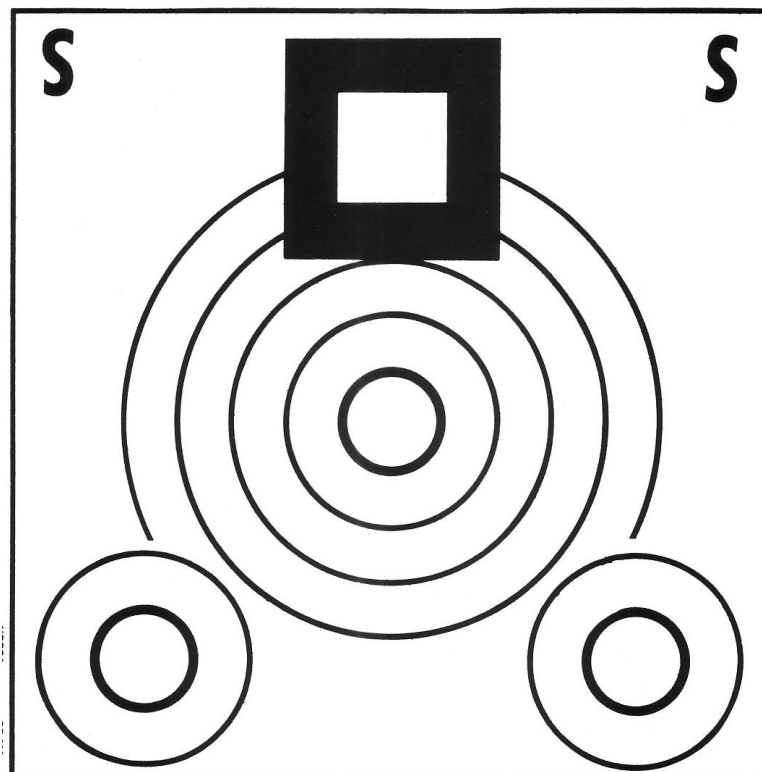
Target





200 Yard

Target



APPENDIX C

Protest Form

PROTEST INFORMATION (To be completed by Competitor or Team Official)

Date and time of action or decision being protested:

.....
.....

Reason for protest: (list Rule concerned)

.....
.....
.....
.....

Protest submitted by:

Name:..... Country:.....

Signature:.....

To be completed by Organising Committee

Protest received (date and time).....

Amount of Fee paid:.....

Signature of Official receiving protest:.....

PROTEST COMMITTEE DECISION

WORLD BENCHREST SHOOTING FEDERATION

Date and Time of meeting:.....

The Protest was Upheld Denied

Reason for
decision:.....
.....
.....
.....

Signature of Chairperson:.....

Appendix D

APPLICATION

TO HOST

WORLD BENCHREST SHOOTING CHAMPIONSHIP

Section A

Country of Application:

Proposed Venue:

Proposed dates of competition:

Practise facilities available from:

Section B

Proposed draft programme of events:

WORLD BENCHREST SHOOTING FEDERATION

Section C

The following restrictions apply to range use / hours:

The following accommodation arrangements are proposed:

This application is lodged on behalf of (Association).....

Authorised Signatory

.....Date.....Position.....

Appendix E

APPLICATION

TO JOIN

WORLD BENCHREST SHOOTING FEDERATION

.....
Section A

Country of Application:

Name of National Association or Organisation:

Postal address:

Telephone Number:

Fax Number:

Email address:

.....
Section B

Application is made on behalf of (country) to join the World Benchrest Shooting Federation. It is understood that interim membership can be granted, subject to the final approval of the Delegates Committee at their next meeting. I acknowledge that we have read and understood the rules of the Federation and understand the obligations and liabilities of such membership

Signed on behalf of applicant:

Date:

.....
Section C

The rules of the WBSF require the appointment of a delegate, who will act in the interests of the country, and act as the primary contact between the country and the Federation. In addition, the delegate will be entitled to represent that country at the bi-annual Delegates meeting held at the World Championships and will carry that countries voting rights.

Country Delegate Name:

Postal address:

Phone Number:

Fax Number:

Email address:

APPLICATION

for

Confirmation of World Benchrest Record

Section A

Country of Application:

Competitor Name: Competitor Number:

Section B

Application is made for the following target/s to be recorded as a new WBSF Record.

Target Information:

Event:

Distance

Section C

This application is lodged on behalf of (Association).....

Authorised Signatory

.....Date.....Position.....

WORLD BENCHREST SHOOTING FEDERATION

INDEX

Administration	Sect A	Membership Fees	A.8
Authority	A.1	Metric Alternative	D.4
Aggregate	B.4	Minimum Number of Competitors	A.14
Awards	G.2	Minimum Number of Teams	A.17
Application to Join WBSF	Appendix E		
Application to Host	Appendix D	Moving Backer	C11
Application for World Record	Appendix F	Multiple Representation	A5
Backers – Moving	C.11	Name Tag	J.3
Backers - Stationary	C.12	New Competition Events	A.11
Bench	B.12	No additional Time	E16.5
Bench – Position on	B.13		
Bench - unused	B.14	Official Language	J.1
Bench – Rotation	E.3	Official Notice Board	J.4
		Order of Competition	E.4
Certification Equipment	E.9.4		
Certification Stickers	E9.3	Practise Fees	H.2
Change of Rules	A.10	Penalties	E.16.1
Championship	B.2	Procedures	E.16
Commands – Standard	C.13,C.14,I.2	Protest – Committee	C.17
Commands – Emergency	C.15	Protest – Decision	C.19
Competitor Accreditation	A.12	Protest Form	Appendix C
Competitor Number	J.2	Protest – Lodging	C.18
Conduct of Events	A.9	Public Areas	I.3
Crossfire - Procedures	E.16		
Crossfire's – Transferred	E16.1	Range Officers	E.1, I.1
Crossfire's – Penalty	E.16.1	Range – Minimum Facilities	F.1
Crossfire's – Innocent Party	E.16.3	Range – Inspection and Certification	F.2
Crossfire's – Failure to notify	E.16.4	Rear Bags	B.7.2
Crossfire's – no additional time	E.16.5	Recognition	A.2
Crossfire's – Targets to remain in place	E.16.6	Recognized body	A.3
		Records	A.22
Definitions	Section B	Records – unconfirmed	A.22.a
Delegates Committee	A.7	Records – confirmed	A.22.b
Disabled Competitors	J.5	Relay	E.5
Dislodged Targets	C.3	Reloading Facilities	F.4
Entry Fees	H.1	Removal of Bolts	E.15
Entry Fees – Payment of	H.2	Reserves	A.19
Entry Fees – Late	H.4	Reserves – use of	A.20
Entry Fee – Practise	H.3	Restraint of rifle	B.9
Entry Numbers – extension	A.6	Results – Posting	C.9.b,E.8
Event	B.3	Results Service	E.7
Events – Approved	D.1	Rests	B.7
Events – Mandatory	D.2	Rifle Specification	B6 App A
Events – other	D.3		
		Sandbag	B.8
Failure to notify	E.16.4	Shots – required number	E.13
Firing Line	B.11	Shots – placement	E.14
Front Rest	B.7.1	Squadding Procedures	E.2
		Subsequent relays	D.7
Groups – Measurement	C.9, E.10		
Groups – re-measurement	E.11	Targets	Section C
Groups – re-measure procedures	E.12	Targets Drawing	Appendix B
		Targets – Everyman	C.5
Heavy Varmint	B.6	Targets – Lost	C.4
		Targets – Marking	C.8
Innocent party	E.16.3	Targets – Official Set	C.2
Inspection Area	E.9	Targets – Posting	C.6
Inspection – Documentation	E.9.2	Targets – Remain in place	E.16.6
Inspection – Failure	E.9.6	Targets – Removal	C.7
Inspection – Mandatory	E.9.5	Territory	A.13
Inspection – Manpower	E.9.1	Teams – Competition	A21
Inspection – Random	E.9.8	Teams – Minimum numbers	A.17
Inspection – weight allowance	E.9.7	Teams – Score	A.21
International Affiliation	A.6	Teams – Size	A.18
		Tie Breaking	C.10
Light Varmint	B.6	Time Limits	D.6
		Toilet Facilities	F.5
Match	B.5	Unfinished Aggregate	E.6
Maximum Number – Competitors	A.15		
Medal Distribution	G.1	Wind Flags	E.17

WORLD BENCHREST SHOOTING FEDERATION

Membership	A.4		
------------	-----	--	--